

# Technical Data Sheet

Nepstech1550nm 16 Port 22dbm High Power Optical Fiber Amplifier EYDFA with WDM



PRODUCT CODE

NTPL- EDW1622P

technical parameters, installation and debugging, common troubleshooting, and other related content of the product. In order to ensure that the equipment can be successfully installed and safely operated, please read this manual carefully before installing and debugging the equipment. And the installation and debugging should be strictly according to the specified steps on the manual to avoid unnecessary damage to equipment or accident harm to the operator. Any questions, please contact with us in time.

## Special Tips:

- ErYb Co-doped Fiber Amplifier is high end professional equipment, and its installation and debugging must be operated by special technician. Read this manual carefully before operating to avoid damage to equipment caused by fault operation or accident harm to the operator.
- While the fiber amplifier is working, there is an invisible laser beam from the optical output adapter on the front panel. Avoiding permanent harm to the body and eye, the optical output should not aim at the human body and human should not look directly at the optical

output with the naked eye!

- Please make sure that the ground terminal of the case and power outlet has been reliably grounding before turning on the power (Grounding resistance should be  $<4\Omega$ ) to prevent the static damage the pump laser device and harm to human because of case charged.
- To ensure the equipment can work stable over a long time, in voltage unsteady or poor voltage wave region, it's recommend to the customer that he equips special AC regulated power supply, or even AC uninterruptured power supply (UPS) system for conditional users. In the region with large temperature variation environment (The equipment's ideal work environment temperature is  $25^{\circ}\text{C}$ ) or bad room environment, it's recommend to the customer that he equips special air-condition system to improve the work environment.

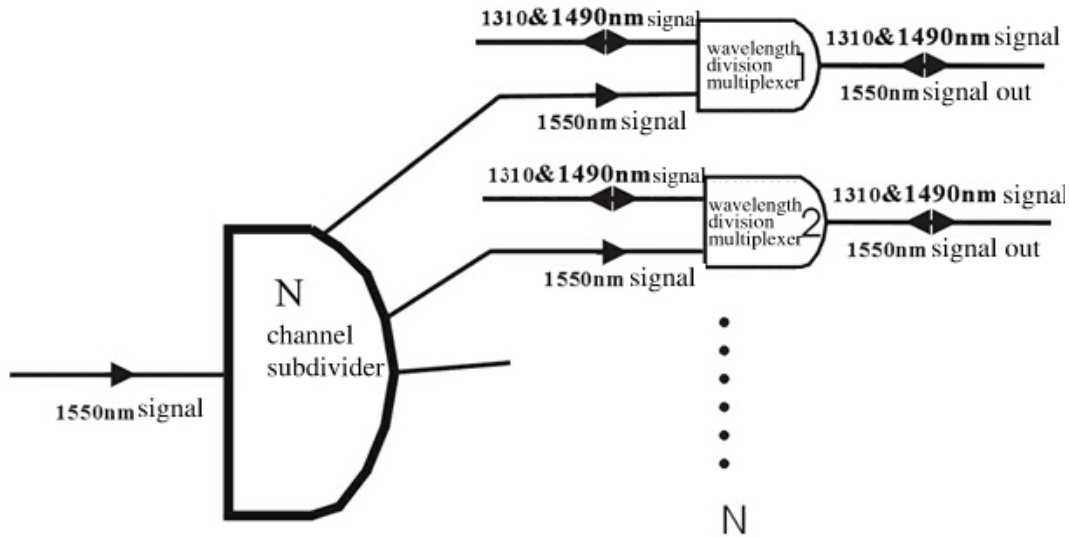
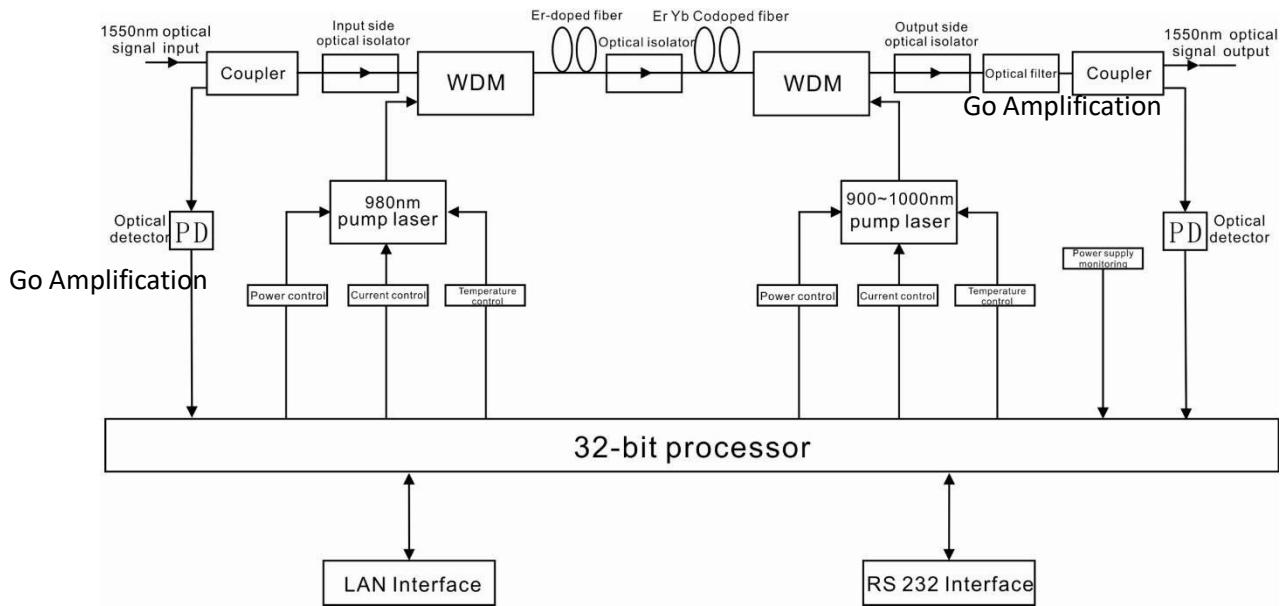
## 1. Application

- Single-mode fiber 1550nm amplification network
- FTTH network
- CATV network
- Long distance trunk network. FTTx PON, max working wavelength:  $1529.16\sim 1563.86\text{nm}$ .
- All kinds of SDH/PDH transmission system.

## 2. Performance Characteristics

- Built-in optical FWDM, it can transmit broadband network and CATV together.
- Adopts ErYb Co-doped double-clad fiber technology;
- CATV input ports: 1 optional
- OLT input ports: 4-32 optional
- Com Output ports: 4-32 optional;
- Optical output power: total output up to  $15\text{W}$  ( $41\text{dBm}$ );
- Low noise figure:  $<6\text{dB}$  when input is  $0\text{dBm}$ ;
- Perfect network management interface, in line with standard SNMP network management;
- Intelligent temperature control system makes the power consumption lower;

### 3. Block diagram



Internal integrated FWDM structure

## 4. Technical Parameter

### 4.1 Technical Parameter

Item		Unit	Technique parameters	Remark
Operating bandwidth		nm	1545 - 1565	
Optical input power range		dBm	-3 - +10	Max range: -10-+10
Optical Switching time		ms	≤ 5	
Maximum optical output power		dBm	41	
Output power stability		dBm	±0.5	
Noise figure		dB	≤ 6.0	Optical input power 0dBm, λ=1550nm
Return loss	Input	dB	≥ 45	
	Output	dB	≥ 45	
Optical Connector Type			CATV IN:SC/APC, PON:SC/PC OR LC/PC COM:SC/APC OR LC/APC	
PON to COM port insertion loss			≤ 1.0	dBm
C/N		dB	≥ 50	Test condition according to GT/T 184-2002.
C/CTB		dB	≥ 63	
C/CSO		dB	≥ 63	
Power supply voltage		V	A:AC100V - 260V (50 Hz~60Hz)	

		B:DC48V(50 Hz~60Hz) C:DC12V(50 Hz~60Hz)	
Operating temperature range	°C	-10 - +42	
Maximum operating relative humidity	%	Max 95% no condensation	
Maximum storage relative humidity	%	Max 95% no condensation	
Dimension	mm	483(L) × 440(W) × 88(H)	

## 4.2 Model and Power Comparison Table

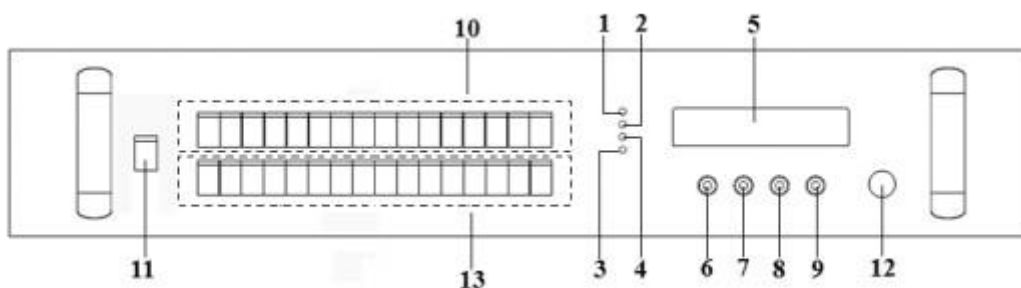
<b>Model</b>	<b>Total output power dBm</b>	<b>Output ports number</b>	<b>Output power per port dBm</b>	<b>ADD WDM</b>
EYA-4 -18	25	4	18	17
EYA-4 -19	26	4	19	18
EYA-4 -20	27	4	20	19
EYA-4 -21	28	4	21	20
EYA-4 -22	29	4	22	21
EYA-4 -23	30	4	23	22
EYA-4 -24	31	4	24	23
EYA-8 -15	25	8	15	14
EYA-8 -16	26	8	16	15
EYA-8 -17	27	8	17	16
EYA-8 -18	28	8	18	17
EYA-8 -19	29	8	19	18
EYA-8 -20	30	8	20	19
EYA-8 -21	31	8	21	20
EYA-8 -22	32	8	22	21
EYA-8 -23	34	8	23	22
EYA-16 -15	29	16	15	14
EYA-16 -16	30	16	16	15
EYA-16 -17	31	16	17	16
EYA-16 -18	32	16	18	17
EYA-16 -19	33	16	19	18

EYA-16 -20	34	16	20	19
EYA-16 -21	35	16	21	20
EYA-16 -22	36	16	22	21
EYA-32 -15	32	32	15	14
EYA-32 -16	33	32	16	15
EYA-32 -17	34	32	17	16
EYA-32 -18	35	32	18	17
EYA-32 -19	36	32	19	18
EYA-32 -20	37	32	20	19
EYA-32 -21	38	32	21	20
EYA-32 -22	39	32	22	21
EYA-32 -23	40	32	23	22
EYA-32 -24	41	32	24	23

From PON Port to COM Port have 1dBm insert loss& 1310nm and 1490nm.

## 5. External Function Description

### 5.1 Front Panel Description



**Schematic diagram of the front panel**

- 1) Power indicator: One switching power supply is working – yellow; two switching power supplies are working – green.
- 2) Optical input power indicator : This light turns on when the optical input power is  $> -10\text{dBm}$ .
- 3) Pump working status indicator: Red light means the pump is not working, but the machine parameters are normal; flashing red light means the machine has broken down, related fault reason see the alarm menu of the display menu; green light means the pump is

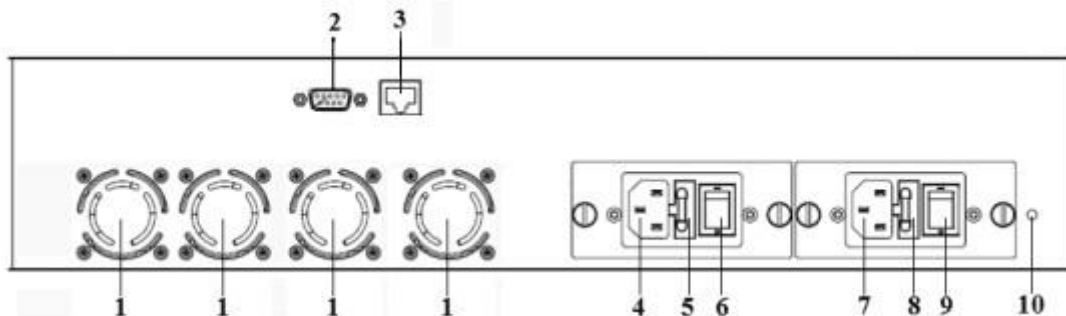
working normal.

- 4) Optical output power indicator: This light turns on when the optical output power is  $> +10\text{dBm}$ .
- 5) 160×32 dot-matrix LCD screen: used to display all the parameters of the machine.
- 6) Display the exit or cancel key of the setup menu.
- 7) Display the up or increase key of the setup menu.
- 8) Display the down or decrease key of the setup menu.
- 9) Display the enter key of the setup menu.
- 10) Optical signal output: This interface is the optical signal output port of the device. The default connector type is SC/APC; the port number is 4-32 optional. Other specification requirements are specified by the customer.

**Warning:** There is an invisible laser beam from this port while working normal. So the port should not be aligned to the human body or the naked eye to avoid accidental injury.

- 11) Optical signal input: The default connector type is SC/APC. Other specification requirements are specified by the customer.
- 12) Pump laser switching key: used to control the working status of pump laser. "ON" means the pump laser is open and "OFF" means the pump laser is closed. Ensure the key is on "OFF" position before power on. After passing self-test, rotate the key to "ON" position according to the displayed message.

## 5.2 Rear Panel Description

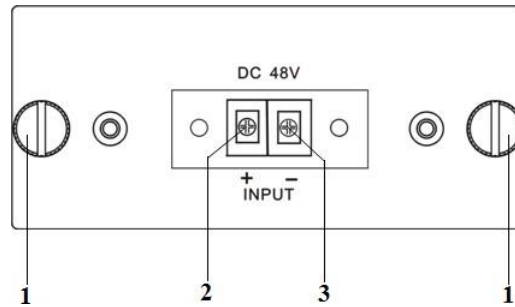


Schematic diagram of the rear panel

- 1) Fan outlet.
- 2) RS232 interface: Used for configuring the network management parameters.
- 3) LAN interface: correspond to IEEE802.3 10Base-T, used for network management.
- 4) The AC 220V input port of power supply 1.
- 5) The fuse of power supply 1.
- 6) The switch of power supply 1.
- 7) The AC220V input port of power supply 2.
- 8) The fuse of power supply 2.
- 9) The switch of power supply 2.
- 10) Ground stud of the chassis: used for the connection of device and ground wire.



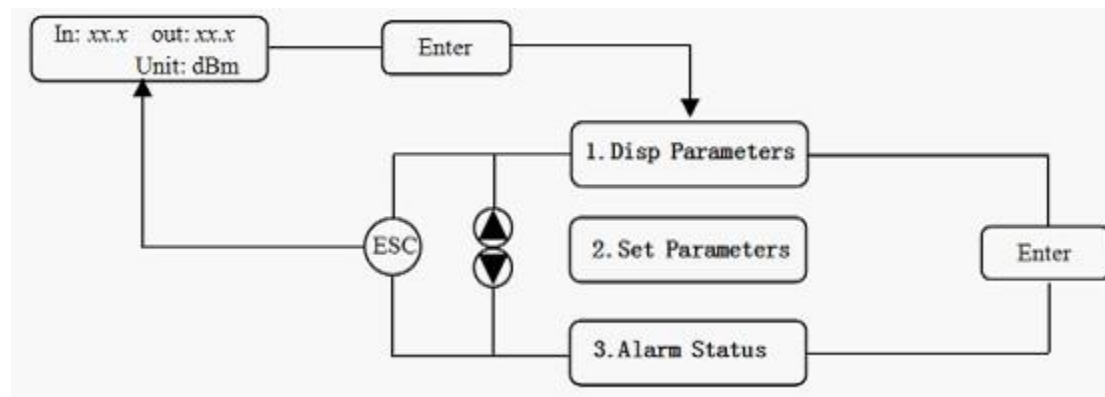
## 5.2.1 DC Power Module Introduction



1	Mounting screws	2	+ Positive terminal block	3	- Negative terminal block
---	-----------------	---	---------------------------	---	---------------------------

## 6. Menu System

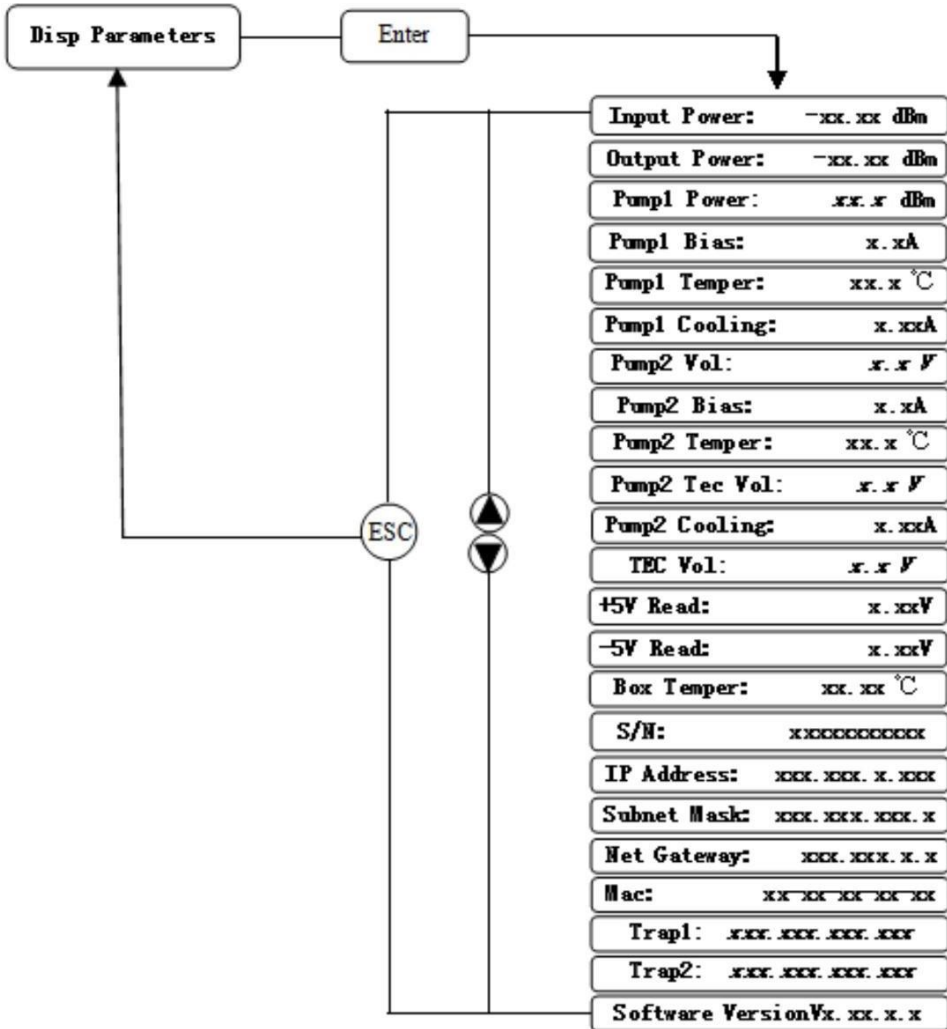
### 6.1 Main Menu



Name	Display	Description
System Starting	xxxxxxx	Manufacturers' logo
	xxxxxxx	Equipment model
	xxxxxxx	Start countdown / lock status
Suspend Page	In: xx.xout: xx.x Unit: dBm	Display the optical input / output power
Main Page	1.Disp Parameters	Entry of parameter display menu
	2.Set Parameters	Entry of parameter setup menu

	3.Alarm Status	Entry of alarm information menu
--	----------------	---------------------------------

## 6.2 Display Menu

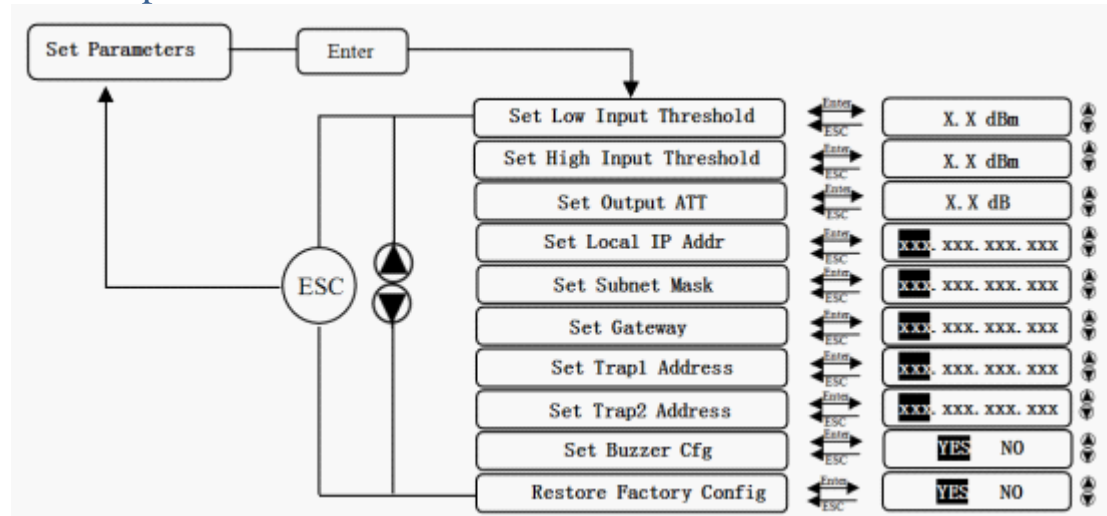


<b>1.Disp Parameters</b>	Input Power: xx.x dBm	Input power, accurate to 0.1 dBm
	Output Power: xx.x dBm	Output power, accurate to 0.1 dBm
	Pump1 Power: xx.x dBm	Power of pump1, accurate to 0.1 dBm
	Pump1 Bias: x.x A	Bias current of pump1, accurate to 0.1 A
	Pump1 Temper: xx.x °C	Temperature of pump1, accurate to 0.1 °C
	Pump1 Cooling: x.xx A	Cooling current of pump1, accurate to 0.01 A
	Pump2 Vol: x.x V	Drive voltage of pump2, accurate to 0.1 V
	Pump2 Bias: x.x A	Bias current of pump2, accurate to 0.1 A

* Pump2 Temper: xx.x °C	Temperature of pump2, accurate to 0.1 °C
* Pump2 Tec Vol: x.x V	Cooling voltage of pump2, accurate to 0.1 V
* Pump2 Cooling: x.xx A	Cooling current of pump2, accurate to 0.01 A
* TEC Vol: x.x V	The first stage voltage of pump2 cooler, 0.1 V
+5V Read: x.x V	+5V power supply voltage , accurate to 0.1 V
-5V Read: -x.x V	-5V power supply voltage , accurate to 0.1 V
Box Temper: xx.x °C	Box temperature, accurate to 0.1 °C
S/N: xxxxxxxx	Device serial number
IP Address: xxx.xxx.xxx.xxx	IP address
Subnet Mask:xxx.xxx.xxx.xxx	Subnet mask
Net Gateway:xxx.xxx.xxx.xxx	Gateway
Mac: xxxxxxxxxxxx	Physical address
Trap1: xxx.xxx.xxx.xxx	trap1 address
Trap2: xxx.xxx.xxx.xxx	trap2 address
Software Version: Vx.xx.x.x	Firmware version number

The ultra high power output EDFA no the "\*" menu.

## 6.3 Setup Menu



<b>2.Set Parameters</b>	Set Low Input Threshold	Set the low optical input power alarm threshold, range -3.0~10.0dBm
	Set High Input Threshold	Set the high optical input power alarm threshold , range -3.0~10.0dBm
	*Set Output ATT	Set the optical output power attenuation
	Set Local IP Addr	Set IP address
	Set Subnet Mask	Set subnet mask
	Set Gateway	Set gateway
	Set Trap1 Address	Set trap1
	Set Trap2 Address	Set trap2
	Set Buzzer cfg	Set the switch of beeper
	Restore Factory config	Restore the factory configurationset content as shown above

The ultra-high-power output EDFA no the "\*" menu.

## 6.4 Warning menu

<b>3.Alarm Status</b>	Input Status: xxx	xxx= <i>LOLOW</i> :	Very low optical input power alarm
		xxx= <i>LOW</i> :	Low optical input power alarm
		xxx= <i>HIGH</i> :	High optical input power alarm
		xxx= <i>HIHIGH</i> :	Very high optical input power alarm
	Output Status: xxx	xxx= <i>LOLOW</i> :	Very low optical output power alarm
		xxx= <i>LOW</i> :	Low optical output power alarm
		xxx= <i>HIGH</i> :	High optical output power alarm
		xxx= <i>HIHIGH</i> :	Very high optical output power alarm
	Pumpx Power: xxx	xxx= <i>LOLOW</i> :	Very low power of pump x alarm
		xxx= <i>LOW</i> :	Low power of pump x alarm
		xxx= <i>HIGH</i> :	High power of pump x alarm
		xxx= <i>HIHIGH</i> :	Very high power of pump x alarm
	Pumpx Bias: xxx	xxx= <i>LOLOW</i> :	Very low bias current of pump x alarm
		xxx= <i>LOW</i> :	Low bias current of pump x alarm
		xxx= <i>HIGH</i> :	High bias current of pump x alarm
		xxx= <i>HIHIGH</i> :	Very high bias current of pump x alarm
	Pumpx Temper: xxx	xxx= <i>LOLOW</i> :	Very low temperature of pump x alarm
		xxx= <i>LOW</i> :	Low temperature of pump x alarm
		xxx= <i>HIGH</i> :	High temperature of pump x alarm
		xxx= <i>HIHIGH</i> :	Very high temperature of pump x alarm
Pumpx Tec: xxx	xxx= <i>LOLOW</i> :	Very low cooling current of pump x alarm	
	xxx= <i>LOW</i> :	Low cooling current of pump x alarm	
	xxx= <i>HIGH</i> :	High cooling current of pump x alarm	
	xxx= <i>HIHIGH</i> :	Very high cooling current of pump x alarm	

	+5V Status: xxx	xxx= LOLOW:	Very low +5V DC power supply alarm
		xxx= LOW:	Low +5V DC power supply alarm
		xxx= HIGH:	High +5V DC power supply alarm
		xxx= HIHIGH:	Very high +5V DC power supply alarm
	-5V Status: xxx	xxx= LOLOW:	Very low -5V DC power supply alarm
		xxx= LOW:	Low -5V DC power supply alarm
		xxx= HIGH:	High -5V DC power supply alarm
		xxx= HIHIGH:	Very high -5V DC power supply alarm
	Device Temper: xxx	xxx= LOLOW:	Very low chassis temperature alarm
		xxx= LOW:	Low chassis temperature alarm
		xxx= HIGH:	High chassis temperature alarm
		xxx= HIHIGH:	Very high chassis temperature alarm

## 6.4 Warning menu

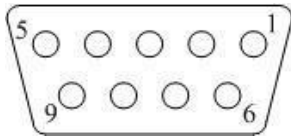
A Input Optical: xxx	xxx= LOW:	Optical switch Low input power alarm
	xxx= HIGH:	Optical switch High input power alarm
B Input Optical: xxx	xxx= LOW:	Optical switch Low input power alarm
	xxx= HIGH:	Optical switch High input power alarm
A Input RF: xxx	xxx= LOW:	Optical switch Low input RF alarm
	xxx= HIGH:	Optical switch High input RF alarm
B Input RF: xxx	xxx= LOW:	Optical switch Low input power alarm
	xxx= HIGH:	Optical switch High input power alarm
Input Status: xxx	xxx= LOW:	EdfaLow optical input power alarm
	xxx= HIGH:	EdfaHigh optical input power alarm
Output Status: xxx	xxx= LOW:	Low optical output power alarm
	xxx= HIGH:	High optical output power alarm
Pumpx Bias: xxx	xxx= LOW:	Low bias current of pump x alarm
	xxx= HIGH:	High bias current of pump x alarm
Pumpx Temper: xxx	xxx= LOW:	Low temperature of pump x alarm
	xxx= HIGH:	High temperature of pump x alarm
Pumpx Tec: xxx	xxx= LOW:	Low cooling current of pump x alarm
	xxx= HIGH:	High cooling current of pump x alarm
+5V Status: xxx	xxx= LOW:	Low +5V DC power supply alarm
	xxx= HIGH:	High +5V DC power supply alarm
-5V Status: xxx	xxx= LOW:	Low -5V DC power supply alarm
	xxx= HIGH:	High -5V DC power supply alarm

## 7. Communication Setup Descriptions

### 7.1 Communication Interface Description

#### 1) RS232 communication interface

Adopt DB9 standard connector, the pin definitions as follow:



1: No Connect

2: TX

3: RX

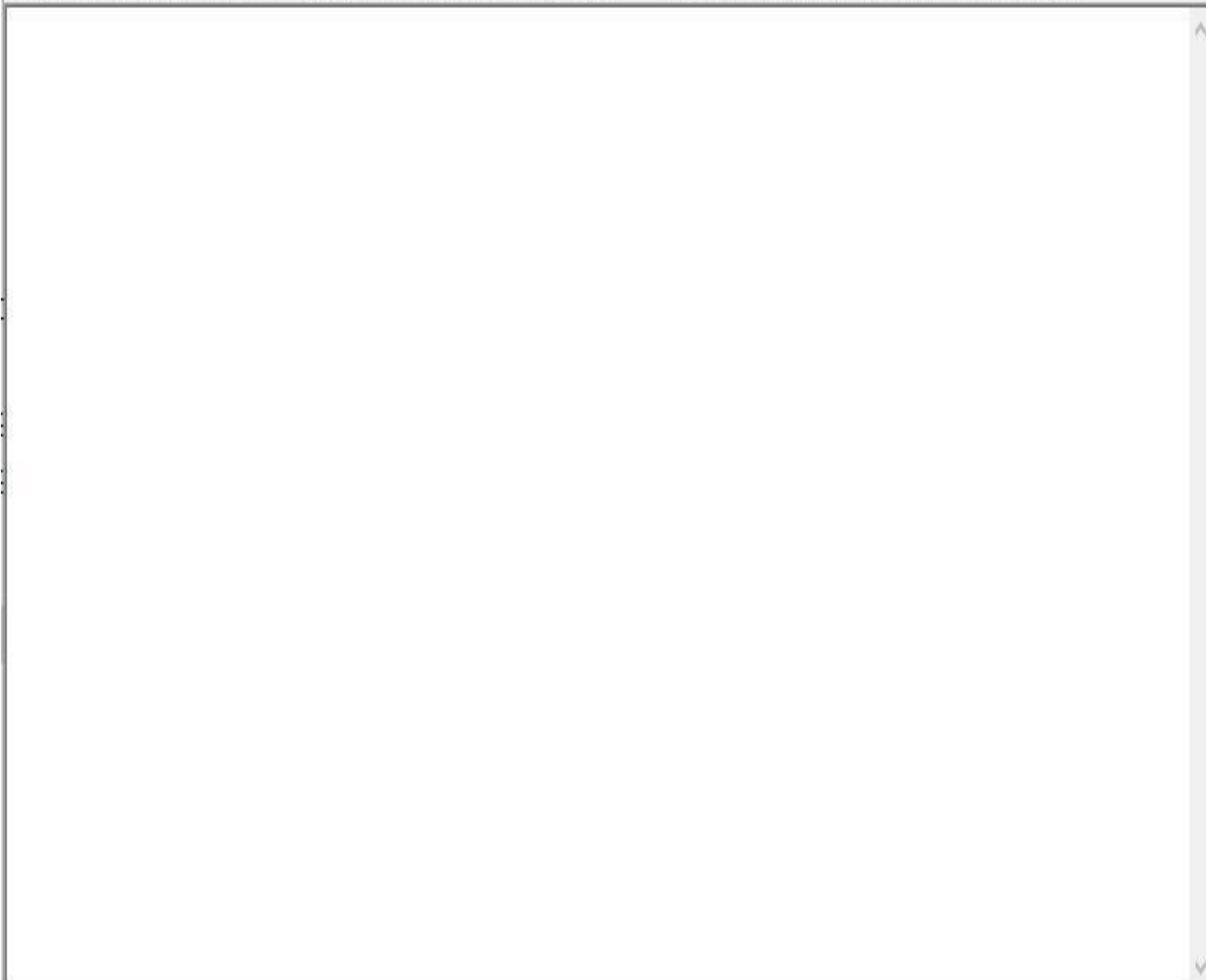
4: No Connect

5: GND

6: No Connect

The serial communication uses the sscm App, bit and the baud rate is19200.





ClearData OpenFile SendFile Stop ClearSend OnTop English SaveConfig EXT

ComNum COM4 Z-TEK USB-to-Serial C HEXShow SaveData ReceivedToFile SendHEX SendEvery: 1000 ms/Tim AddCrLf

OpenCon More Settings Show Time and Packe OverTime 20 ms No 1 BytesTo 末尾 Verify None

RTS DTR BaudRat 19200

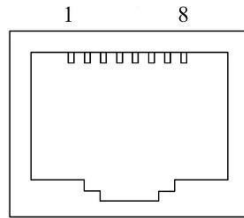
为了更好地发展SSCOM软件 请您注册嘉立创结尾客户

【升级到SSCOM 5.13.1】★PCB打样降至每款30元顺丰包邮! SMT贴片工程费50元, 每焊盘1分钱! ★RT-Thread来自中国的开源免费商用物联网操作系统 ★新

www.daxia.com S:0 R:0 COM4 Closed 19200bps,8,1,None,None

## 2) LAN communication interface

Adopt RJ45 standard connector, the pin definitions as follow:



LAN

1: TX+

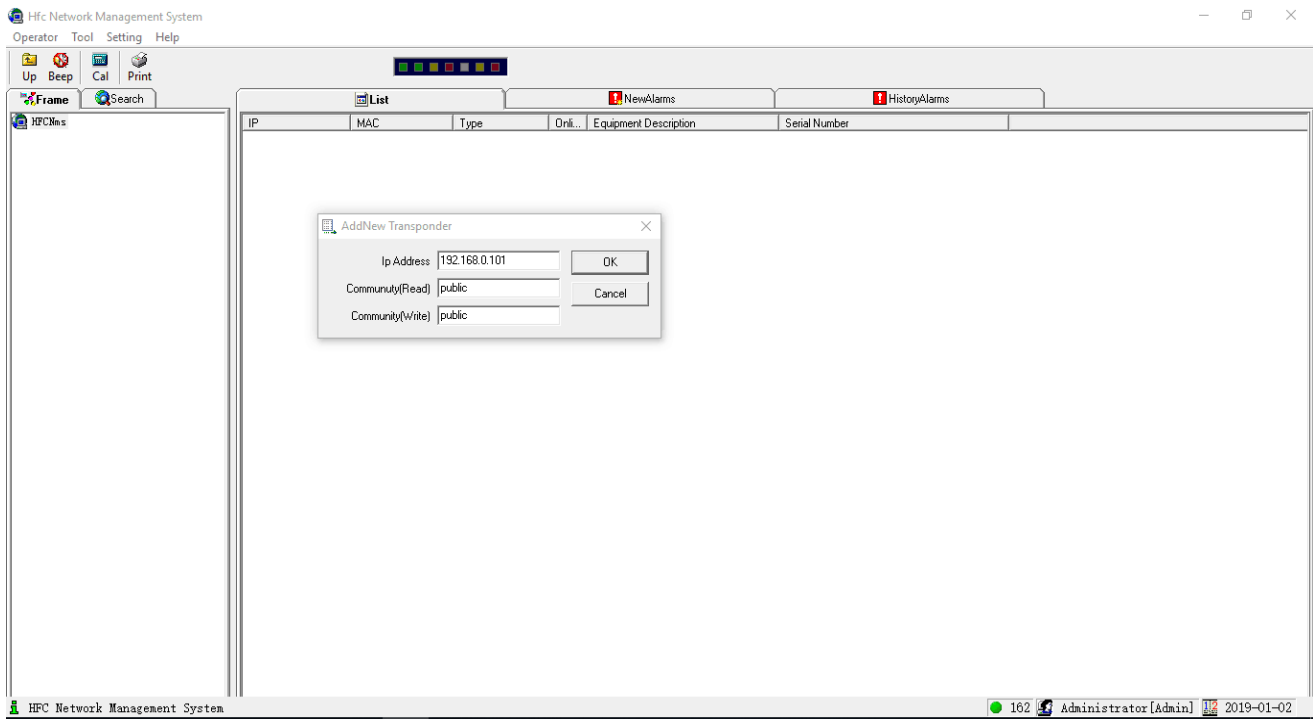
2: TX-

3: RX+

4: No Connect

5: No Connect

6: RX-





List

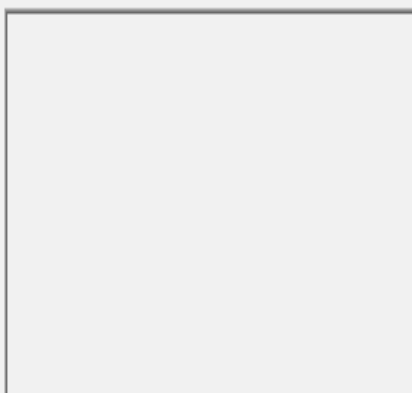
NewAlarms

HistoryAlarms

IP    MAC    Type    Onli...    Equipment Description    Serial Number

Transponder Property-[OA] \\HFCNms\192.168.0.101:161

Normal    Advance    Remark



Description: EYA1550-64\*19dBm-FWDM-OS  
Administrator: sysContact  
NE Name: HFC-OA With OSW  
Location: sysLocation  
Device detail: HFC-OA  
Cover Status: Compromised  
Internal Temp(C): 30  
OutputPower(dBm): 19.5  
InputPower(dBm): 2.5  
OnOffControl: ON  
PowerSet(dBm): 19.5

DeviceTable	ModelNo	SerialNo	IntTemp(C)	DeviceFW
Channel1	EYA1550-64*19dBm-FWDM-OS	JF519010301	30	V1.0.1

oaPumpTable	PumpBIAS(mA)	PumpTEC(A)	PumpTemp(C)
Channel1	671	0.57	25.2
Channel2	772	1.00	25.0
Channel3	870	1.00	25.0

DC Power	Voltage(V)	Name
Channel1	4.8	DC +5V
Channel2	-4.8	DC -5V

OpAmpInputTable	SwitchMode	SwitchControl	SwitchState
Channel1	Automatic	PathA	PathA

OpAmpInputTable	InputOpticalLevel(dBm)	SetInputPowerThreshold(dBm)	InputS
Channel1	2.6	-10.0	Normal
Channel2	1.5	-10.0	Normal

OpAmpInputTable	OpticalLevel(dBm)	OutputDescription
Channel1	2.6	Path A

DisablePolling

OK

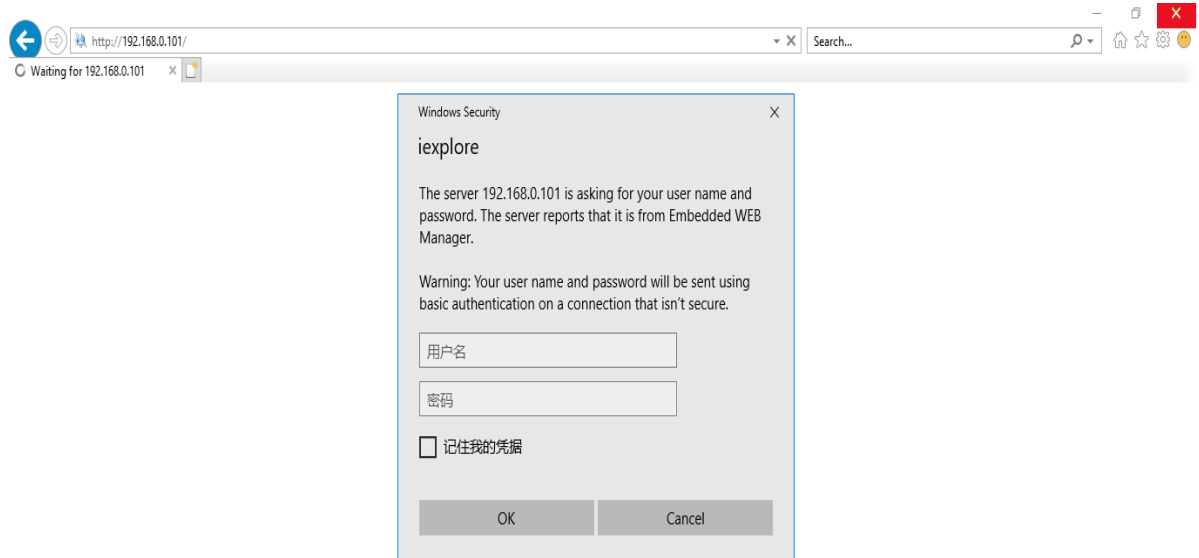
Cancel



Major Alarm

## 7.2.2 Support web browsing SNMP function

Uername:Admin Password:123456



## Device Status:



# SNMP Agent WEB Manager

Device Status

Device Settings

Alarm Status

Alarm Properties

Network Settings

Change Password

Reset Settings

Serial Number **JF519010301**

Internal Temperature **28.8** °C

Input Power **1.5** dBm

Output Power **19.4** dBm

DC Power +5V **4.8** V

DC Power -5V **-4.8** V

Switch Source **Optical signal**

Switch Mode **Automatic**

Switch Position **Path A**

Index	Optical Input Power	Optical Threshold	Description
1	1.6 dBm	-10.0 dBm	Path A
2	2.1 dBm	-10.0 dBm	Path B

Index	RF Level	RF Threshold	Description
-------	----------	--------------	-------------

## Device Settings:



# SNMP Agent WEB Manager

Device Status

**Device Settings**

Alarm Status

Alarm Properties

Network Settings

Change Password

Reset Settings

### Device Settings

PUMP Status:

Set Output:  dB

Switch Source:

Switch Mode:

Switch To:

Optical Threshold:  dBm

RF Threshold:  dBuV

Submit

# Alarm Status



## SNMP Agent WEB Manager

Device Status

Device Settings

**Alarm Status**

Alarm Properties

Network Settings

Change Password

Reset Settings

### Alarm Status

Index	Parameter Name	Alarm Status
1	Output optical power	Nominal
2	Input optical power	Nominal
3	Box Temp	Nominal
4	Pump1 BIAS	Nominal
5	Pump2 BIAS	Nominal
6	Pump1 TEC	Nominal
7	Pump2 TEC	Nominal
8	Pump1 Temp	Nominal
9	Pump2 Temp	Nominal
10	DC +5V	Nominal
11	DC -5V	Nominal

# Alarm Properties



## SNMP Agent WEB Manager

- Device Status
- Device Settings
- Alarm Status
- Alarm Properties**
- Network Settings
- Change Password
- Reset Settings

### Alarm Properties

Index	Parameter Name	HIHI	HI	LO	LOLO	Deadband	Action
1	Output optical power (dBm)	<input checked="" type="checkbox"/> 27.0	<input checked="" type="checkbox"/> 26.0	<input checked="" type="checkbox"/> 11.0	<input checked="" type="checkbox"/> 10.0	1.0	Set
2	Input optical power (dBm)	<input checked="" type="checkbox"/> 10.0	<input checked="" type="checkbox"/> 8.0	<input checked="" type="checkbox"/> -5.0	<input checked="" type="checkbox"/> -10.0	1.0	Set
3	Box Temp (°C)	<input checked="" type="checkbox"/> 85	<input checked="" type="checkbox"/> 70	<input checked="" type="checkbox"/> 0	<input checked="" type="checkbox"/> -5	2	Set
4	Pump1 BIAS (mA)	<input checked="" type="checkbox"/> 1200	<input checked="" type="checkbox"/> 1000	<input checked="" type="checkbox"/> 100	<input checked="" type="checkbox"/> 80	10	Set
5	Pump2 BIAS (mA)	<input checked="" type="checkbox"/> 1200	<input checked="" type="checkbox"/> 1000	<input checked="" type="checkbox"/> 100	<input checked="" type="checkbox"/> 80	10	Set
6	Pump1 TEC (A)	<input checked="" type="checkbox"/> 2.00	<input checked="" type="checkbox"/> 1.50	<input checked="" type="checkbox"/> -1.50	<input checked="" type="checkbox"/> -2.00	0.10	Set
7	Pump2 TEC (A)	<input checked="" type="checkbox"/> 2.00	<input checked="" type="checkbox"/> 1.50	<input checked="" type="checkbox"/> -1.50	<input checked="" type="checkbox"/> -2.00	0.10	Set
8	Pump1 Temp (°C)	<input checked="" type="checkbox"/> 35.0	<input checked="" type="checkbox"/> 30.0	<input checked="" type="checkbox"/> 20.0	<input checked="" type="checkbox"/> 15.0	1.0	Set
9	Pump2 Temp (°C)	<input checked="" type="checkbox"/> 35.0	<input checked="" type="checkbox"/> 30.0	<input checked="" type="checkbox"/> 20.0	<input checked="" type="checkbox"/> 15.0	1.0	Set
10	DC +5V (V)	<input checked="" type="checkbox"/> 6.5	<input checked="" type="checkbox"/> 6.0	<input checked="" type="checkbox"/> 4.0	<input checked="" type="checkbox"/> 3.5	0.2	Set
11	DC -5V (V)	<input checked="" type="checkbox"/> -3.5	<input checked="" type="checkbox"/> -4.0	<input checked="" type="checkbox"/> -6.0	<input checked="" type="checkbox"/> -6.5	0.2	Set

Index	Parameter Name	Control	Action
-------	----------------	---------	--------



# Network Settings



## SNMP Agent WEB Manager

- Device Status
- Device Settings
- Alarm Status
- Alarm Properties
- Network Settings**
- Change Password
- Reset Settings

### Network Settings

Device MAC:  :  :  :  :  :

Update Identifier:

Agent Version:

Static IP Address:  .  .  .

Subnet Mask:  .  .  .

Default Gateway:  .  .  .

Trap Address 1:  .  .  .

Trap Address 2:  .  .  .

Trap Address 3:  .  .  .

Trap Address 4:  .  .  .

Trap Address 5:  .  .  .

Trap Address 6:  .  .  .

Trap Address 7:  .  .  .

Trap Address 8:  .  .  .

Read Community:

Write Community:

Trap Community:

SNMP Version:  ▾

Save

# Change Password



## SNMP Agent WEB Manager

Device Status

Device Settings

Alarm Status

Alarm Properties

Network Settings

Change Password

Reset Settings

### Change Password

Username:

Password:

New Username:

New Password:

Confirm Password:

## Reset Settings



### SNMP Agent WEB Manager

Device Status

Device Settings

Alarm Status

Alarm Properties

Network Settings

Change Password

Reset Settings

#### Restore settings and Reboot device

- Reboot device

Reboot device

- Restore factory settings

**Warning!!**  
Click the restore button, all parameters will be restored to factory default.

Restore Factory

- Restore Net parameters:
  - IP Address: 192.168.1.8
  - Subnet Mask: 255.255.255.0
  - Gateway Address: 192.168.1.1
  - TRAP Address 1: 192.168.1.200
  - TRAP Address 2: 255.255.255.255

- User parameters:
  - User name: admin
  - Password: 123456

Restore net

## 8. Installation debugging

### 8.1 Unpack and Check

1. Insure the package is not defaced. If it has any damage or water mark, please contact local agency or carrier.
2. After unpacking, check equipments and accessories according to package list. Any question, please contact local agency or our company.
3. If you think the equipment has been damaged, please don't electrify to avoid worse damage. Please contact local agency or our company in time.

### 8.2 Instruments and tools

1. An optical power meter;
2. A digital multimeter;
3. A standard optical fiber test jumper (SC/APC);
4. Some absolute alcohol and medical cotton wool;

### 8.3 Installation steps

1. Before installing the equipment, please read the <User's manual> carefully and install the equipment according to the <User's manual>. **Note:** For the man-made damage and other all consequence caused by error installation that not according to the <User's manual>, we will not be responsible and will not supply free warranty.
2. Take out the device from the box; fix it to the rack and reliably grounding. (The grounding resistance must be  $< 4\Omega$ ).
3. Use the digital multimeter to check the supply voltage, make sure the supply voltage comply with the requirements and the switch key is on the "OFF" position. Then connect the power supply.
4. Input the optical signal according to the display message. Turn the switch key to the "ON" position and observe the front panel LED status. After the pump working status indicator turn into green, the device is working normal. Then press the menu button on the front panel to check the working parameters.
5. Connect the optical power meter to the optical signal output end by the standard optical fiber test jumper, then measure the optical output power. Affirm the measured optical output power and the displayed power are the same and have reached the nominal value. (Affirm the optical power meter is on 1550nm wavelength test position; the optical fiber test jumper is the matched one and on the connector surface has no pollution.) Remove the standard optical fiber test jumper and optical power meter; connect the device to the network. So far, the device has been completely installed and debugged.

## **9. Clean and maintenance method of the optical fiber active connector**

In many times, we consider the decline of the optical power as the equipment faults, but actually it may be caused by that the optical fiber connector was polluted by dust or dirt. Inspect the fiber connector, component, or bulkhead with a fiberscope. If the connector is dirty, clean it with a cleaning technique following these steps:

1. Turn off the device power supply and carefully pull off the optical fiber connector from the adapter.
2. Wash carefully with good quality lens wiping paper and medical absorbent alcohol cotton. If use the medical absorbent alcohol cotton, still need to wait 1~2 minutes after wash, let the connector surface dry in the air.
3. Cleaned optical connector should be connected to optical power meter to measure optical output power to affirm whether it has been cleaned up.
4. When connect the cleaned optical connector back to adapter, should notice to make force appropriate to avoid china tube in the adapter crack.
5. If the optical output power is not normal after cleaning, should pull off the adapter and clean the other connector. If the optical power still low after cleaning, the adapter may be polluted, clean it. (Note: Be carefully when pull off the adapter to avoid hurting inside fiber.)
6. Use compressed air or degrease alcohol cotton to wash the adapter carefully. When use compressed air, the muzzle aims at china tube of the adapter, clean the china tube with compressed air. When use degrease alcohol cotton, insert directions need be consistent, otherwise can't reach a good clean effect.

### **Special notice:**

- a. **In the process of clean the active optical fiber connector, you should avoid direct shining at eye, which will cause permanence burn!!!!**
- b. **Use proper energy to install the active optical connector, or the ceramic tape in the adaptor will lead to break. Once the ceramic tape is broken, the optical output power will decrease rapidly. And turn the active optical fiber connector slightly, the optical output power changes obviously.**
- c. **Please operate the optical fiber under the condition of shut off the pump laser. Or the high output power will lead to burn the joint of the optical output fiber, which will cause the output power decrease.**

## 10. After-sales Service Description

1. If the equipment fault is resulted from the users' improperly operation or unavoidable environment reasons, we will responsible maintenance but ask suitable material cost.
2. When the equipment breaks down, immediately contact local distributor.
3. The site maintenance of the fault equipment must be operated by professional technicians to avoid worse damage.

**Special notice:** If the equipment has been maintained by users, we will not responsible free maintenance. We will ask suitable maintenance cost and material cost.

## 11. Disclaimer

We reserve the right to change any products described herein at any time, and without prior notice. We assume no responsibility or liability arising from the use of the products described herein, except as expressly agreed to in writing by us. The use and purchase of this product does not convey a license under any patent rights, copyrights, trademark rights, or any intellectual property rights of us. Nothing hereunder constitutes a representation or warranty that using any products in the manner described herein will not infringe any patents of third parties.



***NEPS Technologies Private Limited***

Website : [www.nepstech.co.in](http://www.nepstech.co.in)